

# Metal Components, Incorporated

## Catalog 2023



*Elegant Pot Rails for Range Hoods and Other Applications that are Stylish and Practical for all kitchens!*

[www.kitchenpotrails.com](http://www.kitchenpotrails.com)

[www.stainlesssteelpotracks.com](http://www.stainlesssteelpotracks.com)

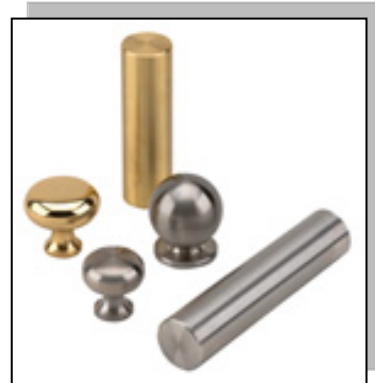
[www.metalcomponentsinc1.com](http://www.metalcomponentsinc1.com)

## About The Products

Our Mission is to bring to the home chef the highest quality kitchen accessories made.

Professional Chefs and Professional kitchen designers have used Stainless Steel, Brass and Copper in their professional kitchens and now Metal Components Incorporated makes that available in our line of Pot Rail Systems.

Offering elegant and functional pot rails in three collections. Our products are machined from the highest quality of material. Each of the materials can be finished with a satin or mirror finish to bring out the beauty in each material!

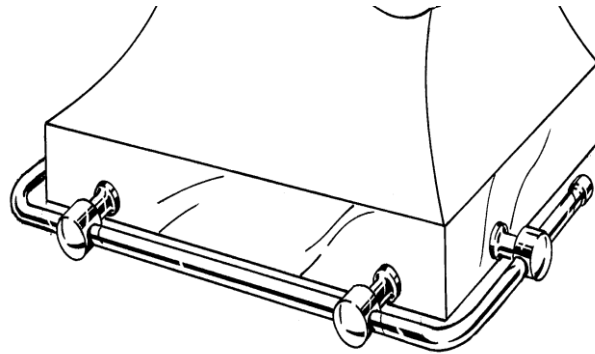


The line features standard kits or all items can be purchased separately to accommodate any configuration.

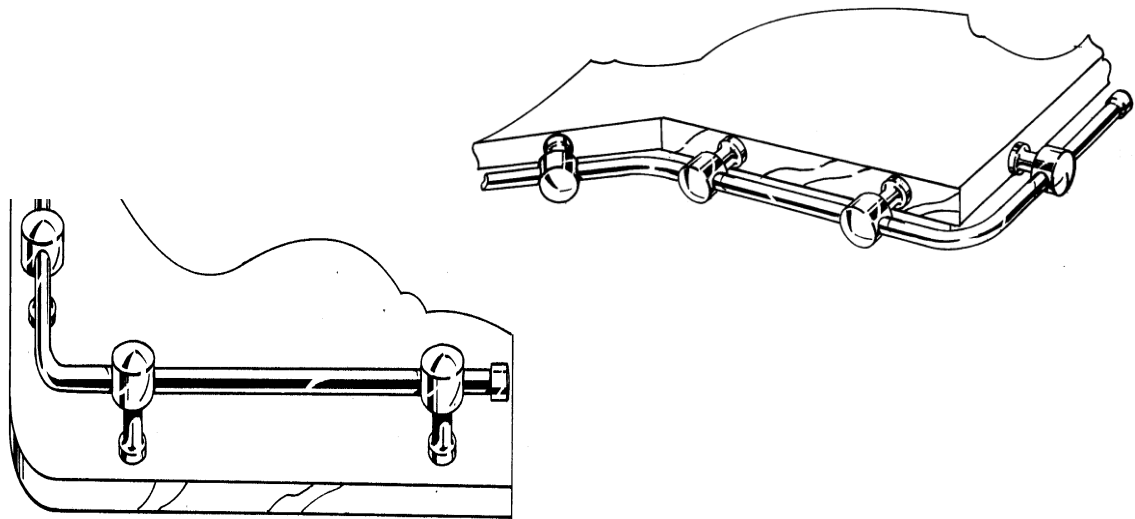


## Applications

The pot rails are designed for any type of kitchen! The products can be mounted on range hoods and be used to hold utensils, pots and pans or other kitchen tools. The system can be a single front rail or be wrapped around on Island hoods.



Some other applications include mounting on counter tops, counter edges and walls and used for hangings towels or others kitchen items.



The Pot rails can be purchased in kit form for front, side or top mounting and can also be ordered individually for custom applications. With our rounded edge adapter or optional mount for granite, this system is extremely versatile.

# Pot Rail Kits

Pot Rail kits are available in 30” to 72” in 6” increments and the distance from the mounting surface to front of rail is 1-5/8”. Kits can be purchased in all collections Signature, Olympia, and Harvest with a satin or mirror finish. All brass and copper parts are covered with a protective lacquer coating for a long-lasting finish. All Pot Rail kits are ready to install.



Kits include (2) rail posts and required hardware, (2) endplugs, and (1) straight rail cut to length.

Ordering of kits is as follows:

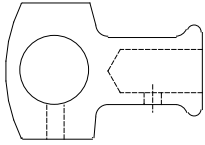
Example 42” Stainless Steel Olympia Pot Rail with a brushed finish.

	Collection	Length	Material	Finish
PR	O	42	S	B
PR = Pot Rail	SI= Signature O= Olympia H= Harvest	30” 36” 42” 48” 60” 66” 72”	S=Stainless Steel B=Brass C=Copper	B= Brushed HP= High Polished

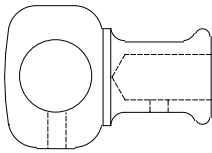
All kits are shipped ready to install in protective packaging. 48" to 72" kits are supplied with extra rails posts for added support.

# Rail Posts

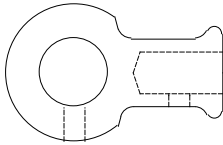
All rail posts include a standard mount and hardware, (1) 10-32 x 5/16" long setscrew and (1) 10-32 x 1/8" long setscrew.



Collection	Material	Finish	Part Number
Signature	Stainless Steel	Brushed	RP-125-S-B
	Stainless Steel	High Polished	RP-125-S-HP
	Brass	Brushed	RP-125-B-B
	Copper	Brushed	RP-125-C-B

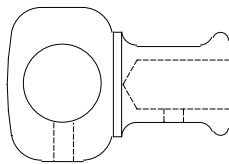


Collection	Material	Finish	Part Number
Harvest	Stainless Steel	Brushed	RP-125-S-B
	Stainless Steel	High Polished	RP-125-S-HP
	Brass	Brushed	RP-125-B-B
	Copper	Brushed	RP-125-C-B

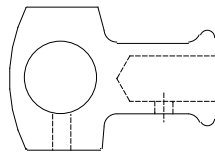


Collection	Material	Finish	Part Number
Olympia	Stainless Steel	Brushed	RP-125-S-B
	Stainless Steel	High Polished	RP-125-S-HP
	Brass	Brushed	RP-125-B-B
	Copper	Brushed	RP-125-C-B

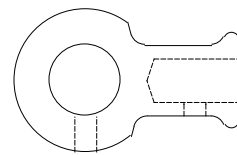
## Dimensions



Harvest



Signature

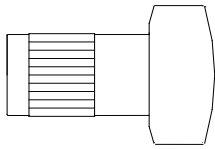


Olympia

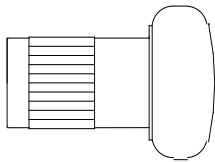
Overall length = 1-13/16"  
 Maximum outside diameter = 1-1/4"  
 Centerline of rail hole to face of application = 1-5/16"

# End Plugs for Railing

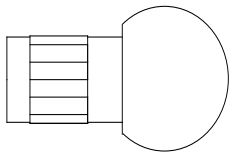
End plugs are designed to be press fit into the rail and measure 1/2" from end of pipe to top of plug. The largest diameter of the end plugs measure 3/4".



Collection	Material	Finish	Part Number
Signature	Stainless Steel	Brushed	SI-EP-84-S-B
	Stainless Steel	High Polished	SI-EP-84-S-HP
	Brass	Brushed	SI-EP-84-B-B
	Copper	Brushed	SI-EP-84-C-B



Collection	Material	Finish	Part Number
Harvest	Stainless Steel	Brushed	H-EP-84-S-B
	Stainless Steel	High Polished	H-EP-84-S-HP
	Brass	Brushed	H-EP-84-B-B
	Copper	Brushed	H-EP-84-C-B



Collection	Material	Finish	Part Number
Olympia	Stainless Steel	Brushed	O-EP-84-S-B
	Stainless Steel	High Polished	O-EP-84-S-HP
	Brass	Brushed	O-EP-84-B-B
	Copper	Brushed	O-EP-84-C-B

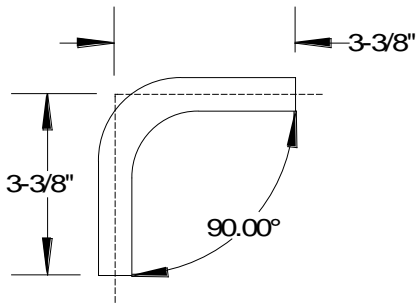
# Railing and Railing Components

All rails are made of 5/8" outside diameter stainless steel, brass and copper tubing. Rails can be cut to any length up to ten feet and is sold by the linear foot.

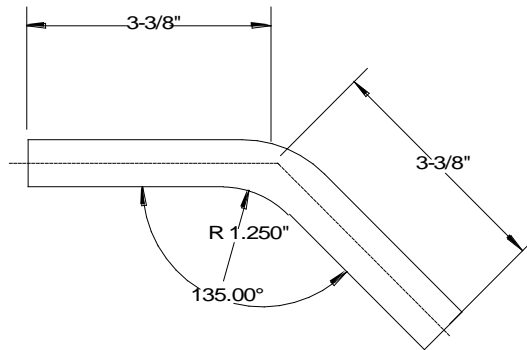


Material	Finish	Part Number
Stainless Steel	Brushed	SR-X-S-B
Stainless Steel	High Polished	SR-X-S-H
Brass	Brushed	SR-X-B-B
Copper	Brushed	SR-X-C-B

X denotes length of rail in feet



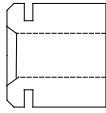
Material	Finish	Part Number
Stainless Steel	Brushed	E-90-S-B
Stainless Steel	High Polished	E-90-S-H
Brass	Brushed	E-90-B-B
Copper	Brushed	E-90-C-B



Material	Finish	Part Number
Stainless Steel	Brushed	E-135-S-B
Stainless Steel	High Polished	E-135-S-H
Brass	Brushed	E-135-B-B
Copper	Brushed	E-135-C-B

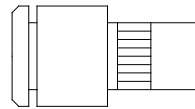
# Pot Rail Accessories

Mounts are made of solid stainless steel; standard mount can be used for hood, wall, countertop or counter edge mounting. Includes (1) o-ring, (1) 10-32 x 1" long FHMS, (1) 10-32 nut, (1) #10 lock washer and (1) #10 x 1" long sheet metal screw (for wall, countertop, or counter edge use #10 wood screw not included).



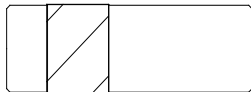
Part Number CM-38

Granite Mount should be glued and pressed into a  $\frac{1}{4}$ " hole drilled  $\frac{3}{4}$ " deep. Note: hole must be straight and round.



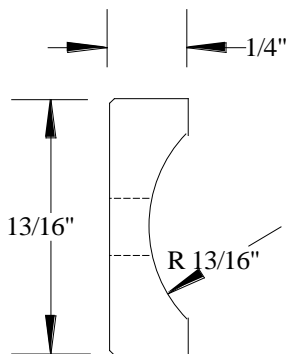
Part Number GM-38

A rail connector is made to press fit into rail and is made from 6061 -T6 Aluminum. Connector is 1-1/2" long and used to connect rail to rail or rail to elbow.

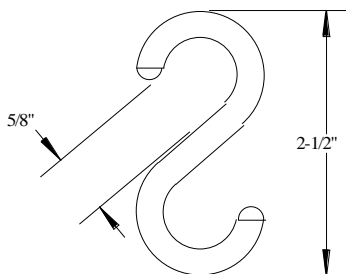


Part Number C-5

## Rounded Counter Edge Adapter



Pot Rail Utensil Hooks are offered in Stainless Steel.





## Custom Made Products

Custom Stainless Steel Hanging Racks are available with Stainless Steel, Brass or Copper accent hardware, and come with six pot hooks, S Hooks for mounting and two feet of stainless-steel chain.



Custom stainless Steel, brass and copper cabinet draw pulls and cabinet knobs in three styles rounded, crescent, and angular. All knobs are 1-1/4" Diameter and Pull are 1/2" diameter and 6" in length.

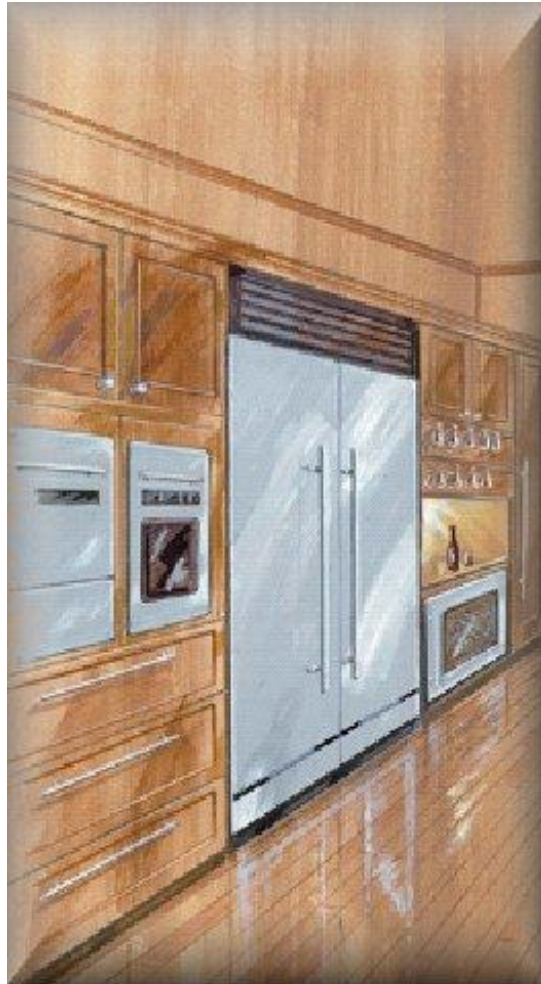


# Appliance Handles

Custom Appliance handles for dishwashers and refrigerators are available in solid stainless steel and brass (copper is only available with stainless steel tubing and copper trim). Handle sizes can be 24", 30", 48", 55", and 64" in length.



Rounded Style



Crescent



Angular